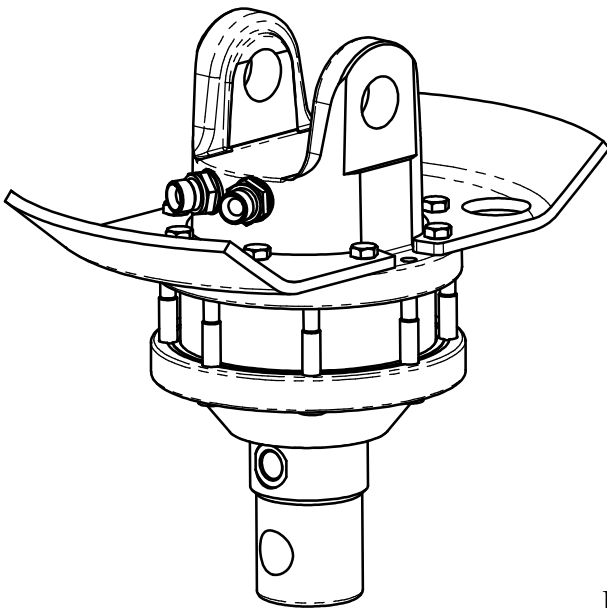
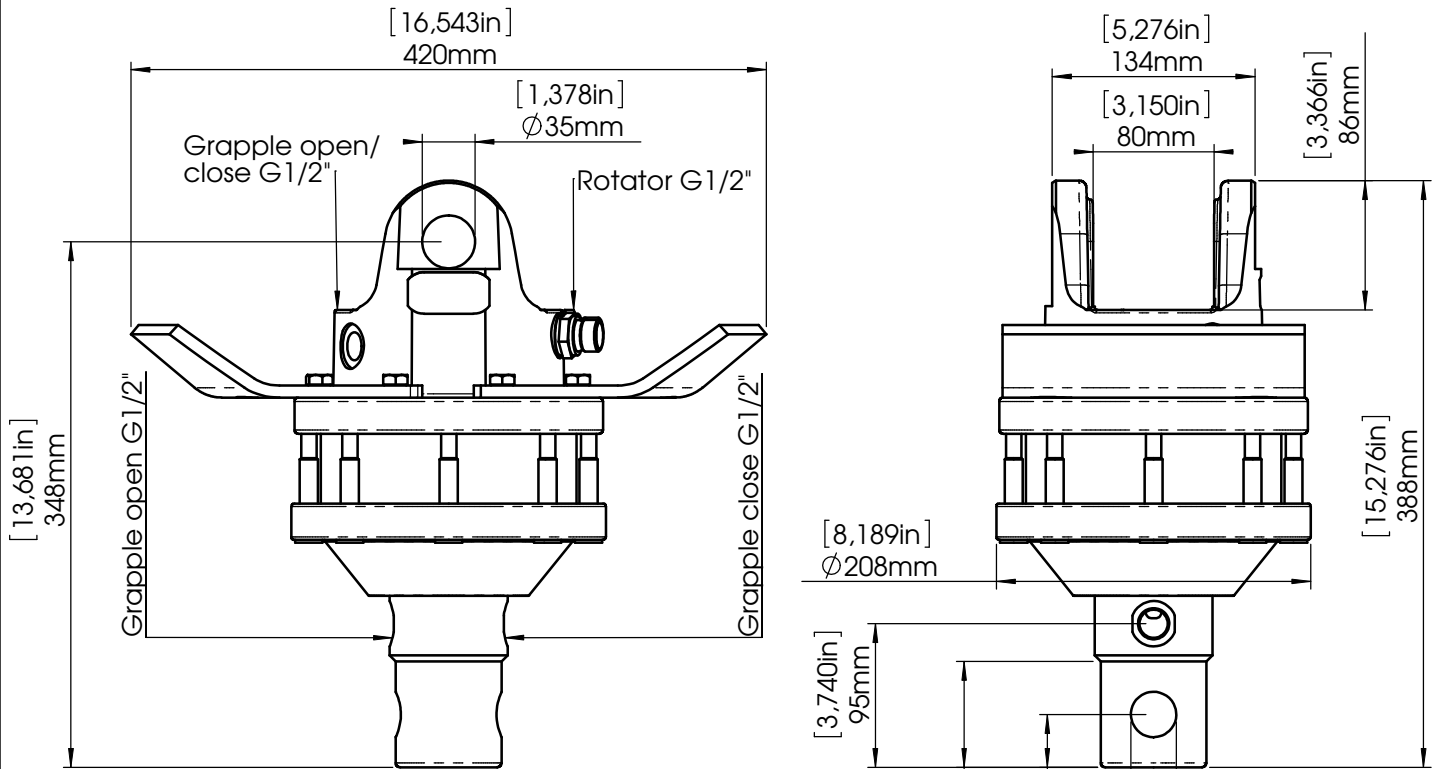
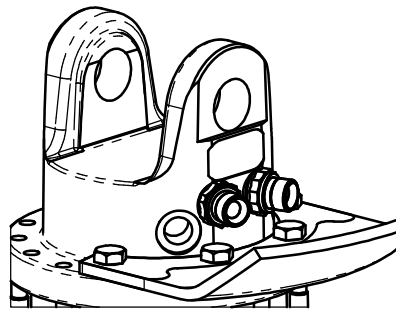


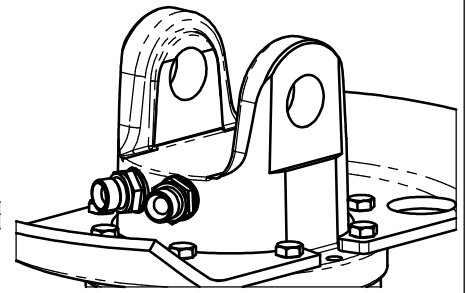
Rotator FR 21 D69/D70



Direction W



Direction X



FR 21 A D69/D70	
Rotation angle	Unlimited
Max. working pressure	200 bar
Displacement	543 cm ³
Torque (200 bar)	1350 Nm
Max. axial force	112 kN
Safe working load	7500 kg
Weight	39 kg

Basic models			
Item	Name	Direction	D
12117	FR 21-X35A30D69	X	69
12118	FR 21-W35A30D69	W	69
12119	FR 21-X35A30D70	X	70
12120	FR 21-W35A30D70	W	70